

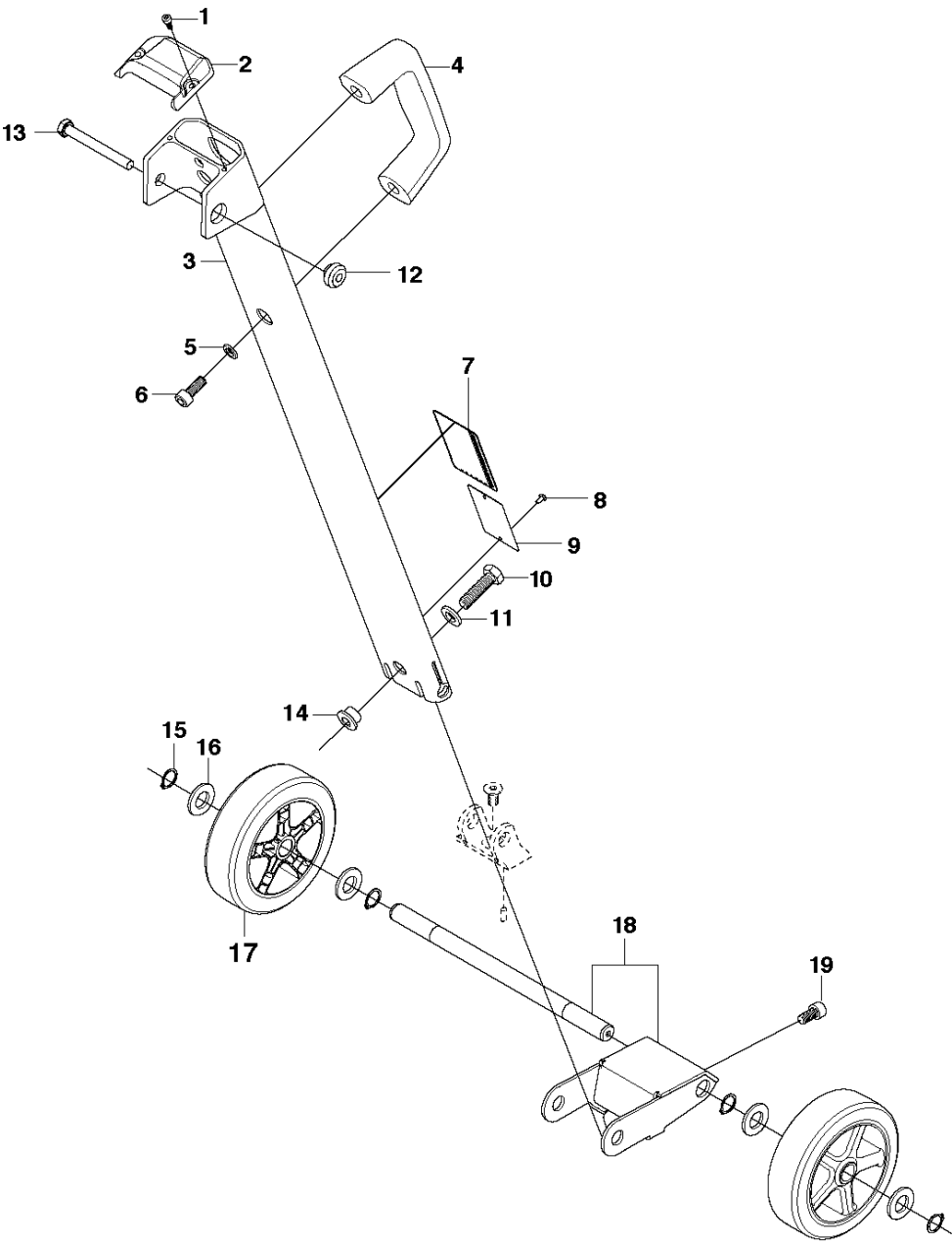


# SPARE PARTS LIST

DRILLING EQUIPMENT

DMS240, 2015-01

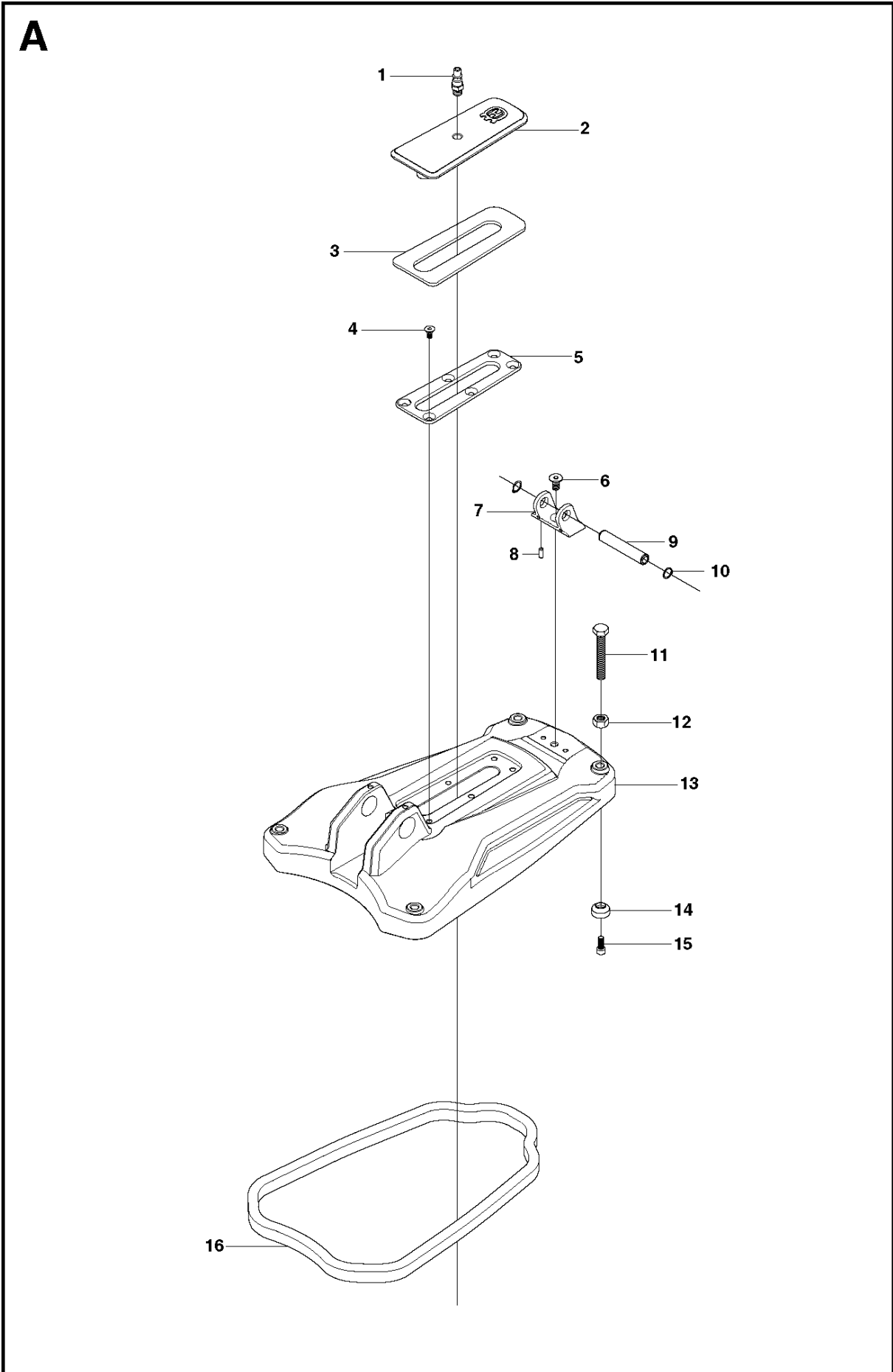
**B**



## BACK SUPPORT

DMS240, 2015-01

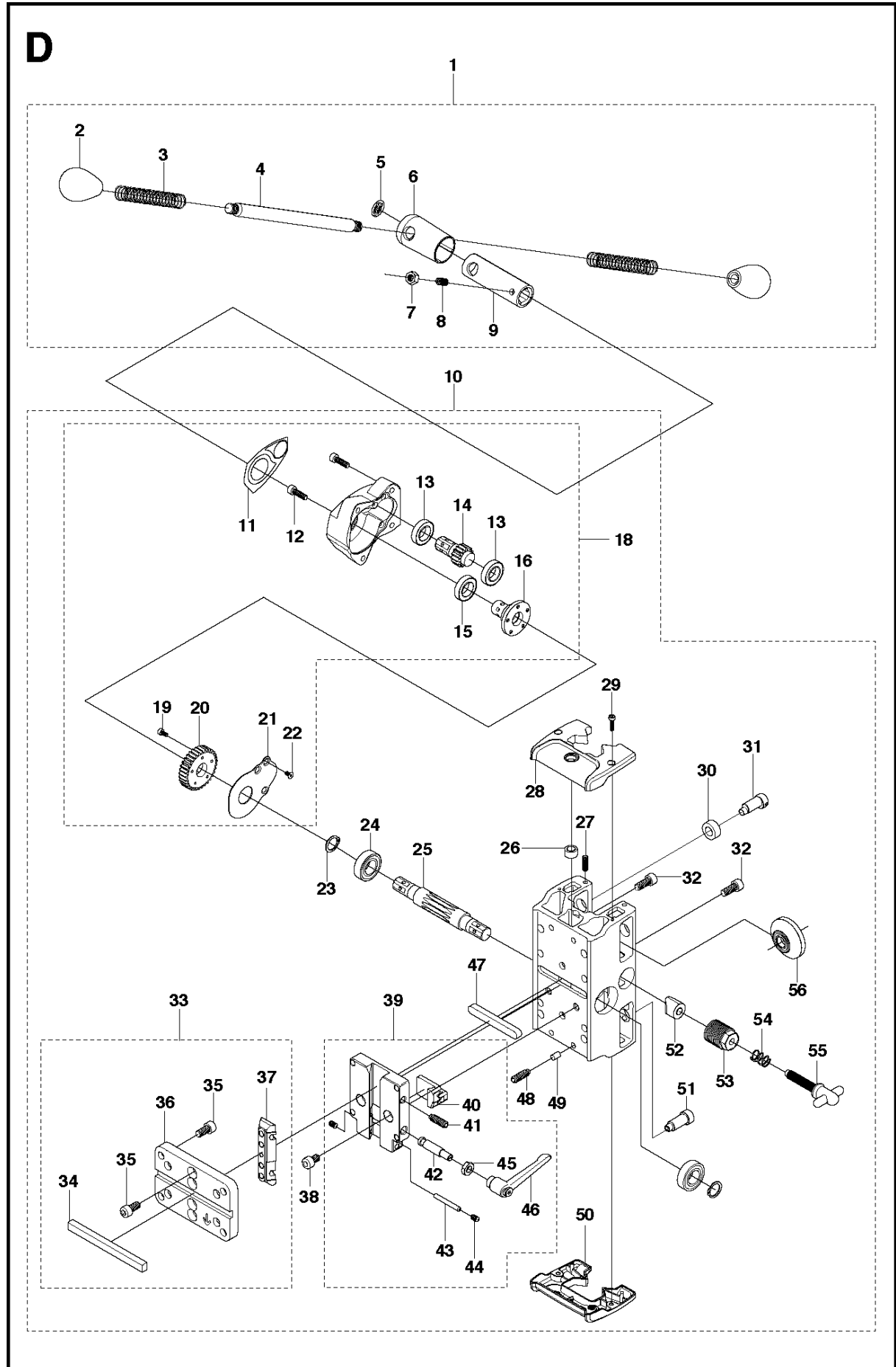
Ref	Part No	Description	Remark	QTY KIT
1	725 52 89-01	SCREW IHSCM		2
2	541 40 48-99	BACK SUPPORT PLASTIC GUARD		1
3	541 40 48-83	DS 250 BACK SUPPORT WELDMENT		1
4	541 40 49-09	HANDLE		1
5	734 11 63-01	WASHER		2
6	725 54 51-01	SCREW IHSCM		2
7	541 40 40-98	DRILL OPERATING/INSTRUCTION DEC		1
8	722 78 25-03	BLIND RIVET		2
9	541 40 51-67	DS 250 CE COMPLIANCE PLATE		1
10	725 24 97-71	SCREW EHHM		1
11	734 11 72-01	WASHER		1
12	541 40 48-27	BACK SUPPORT BUSHING		2
13	725 25 09-51	SCREW EHHM		1
14	541 40 50-67	COLUMN		1
15	735 31 17-01	CIRCLIP		4
16	734 11 82-01	WASHER		4
17	541 40 50-84	WHEEL		2
18	541 40 50-87	WHEEL KIT FRAME WELDMENT		1
19	725 54 49-01	SCREW IHSCM		1



## BASE PLATE

DMS240, 2015-01

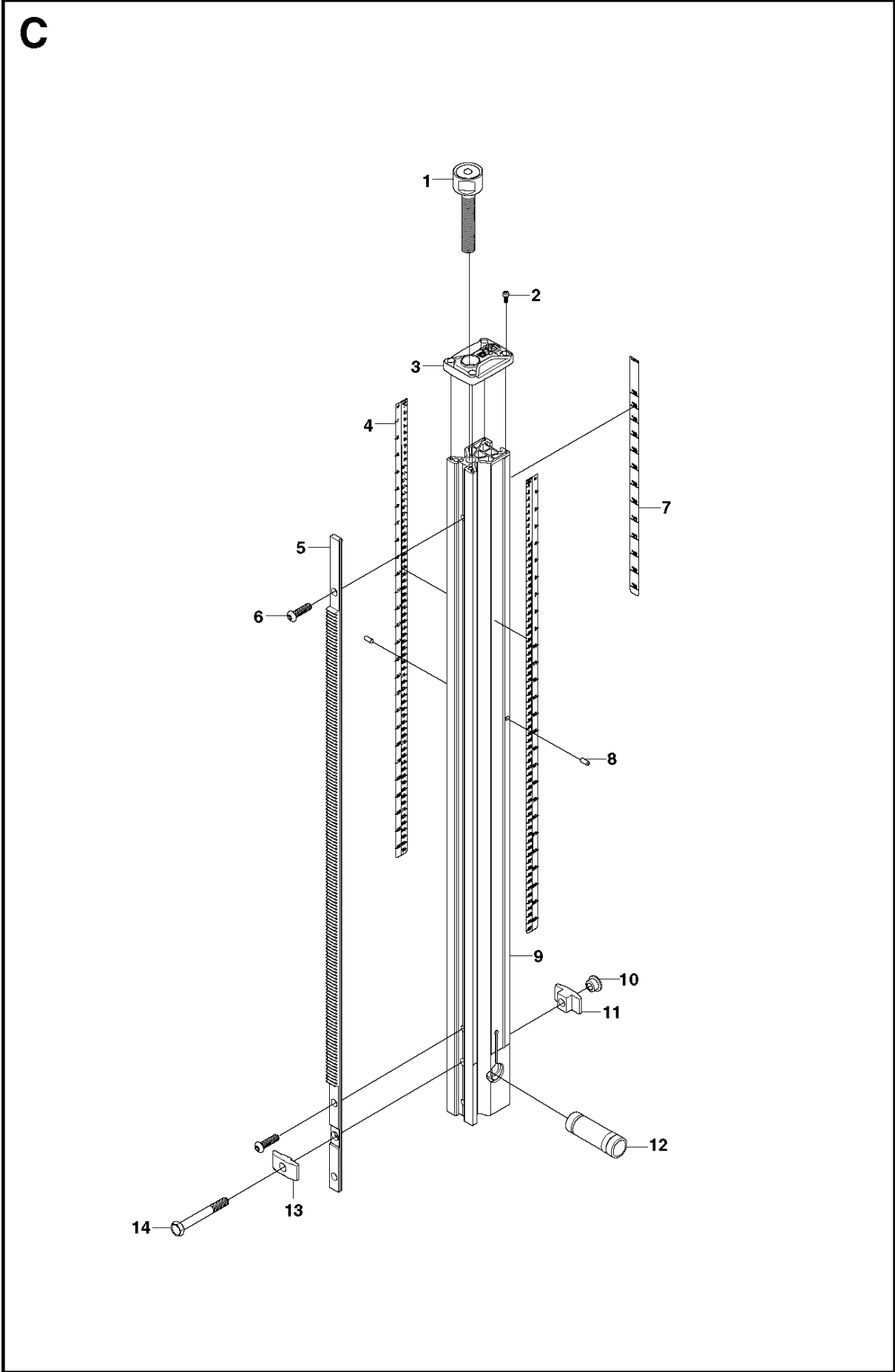
Ref	Part No	Description	Remark	QTY KIT
1	541 40 40-71	1/8 NPT MALE FITTING/		1
2	541 40 49-04	MACHINED VACUUM CAP		1
3	541 40 49-03	VACUUM GASKET / VACUUM CAP		1
4	725 63 66-01	SCREW IHCSFM		6
5	541 40 48-92	SLOT GUARD		1
6	725 64 49-01	SCREW IHCSFM		1
7	541 40 48-87	BACK SUPPORT BASE MOUNT		1
8	720 13 06-50	PARALLEL PIN		4
9	541 40 50-88	DS 250 BACK SUPPORT PIVOT AXLE	Used with wheel kit	1
10	735 31 15-00	CIRCLIP		4
11	541 40 40-80	LEVELING SCREW/		4
12	731 23 20-01	HEXAGON NUT		4
13	541 40 48-61	MACHINED COMBO BASE		1
14	541 40 40-84	LEVELING SCREW CAP/		4
15	725 53 68-01	SCREW IHSCM		4
16	578 93 21-01	GASKET		1



## CARRIAGE

DMS240, 2015-01

Ref	Part No	Description	Remark	QTY KIT	
1	541 40 41-01	TRAVEL LEVER ASSEMBLY/	Complete	1	
2	531 14 06-72	GRIP		2	1
3	541 40 51-63	FEEDING CRANC SPRING		2	1
4	541 40 49-05	FEEDING CRANK SHAFT		1	1
5	541 40 50-47	DECAL		1	1
6	541 40 51-37	FEEDING HANDLE PLASTIC COVER		1	1
7	732 21 18-01	LOCK NUT		1	1
8	541 40 41-33	M8X1.25 BALL PLUNGER DS160C		1	1
9	541 40 40-44	TRAVEL LEVER DRIVE SHAFT/		1	1
10	579 24 30-01	KIT	Not for Single Speed	1	1
11	541 40 49-35	DECAL		1	10,18
12	725 53 72-01	SCREW IHSCM		5	10,18
13	541 40 49-10	17MM I.D.X 30MMO.D.X 7MM WIDTH BEARING (6903-2NSE)		2	10,18
14	541 40 49-11	1.5 MODULE 22.5 P.D. 15 TOOTH 20 DEGREE INVOLUTE G		1	10,18
15	522 80 56-01	BALL BEARING		1	10,18
16	541 40 49-13	INPUT SHAFT EXTENSION PLATE		1	10,18
18	579 24 29-01	GEAR WHEEL KIT	Not for Single Speed	1	10
19	725 52 87-01	SCREW IHSCM		5	10,18
20	541 40 49-12	1.5 MODULE 49.5 P.D. 33 TOOTH 20 DEGREE INVOLUTE G		1	10,18
21	541 40 49-28	COVER PLATE		1	10,18
22	725 62 87-01	SCREW IHCSFM		3	10,18
23	735 31 19-00	CIRCLIP		2	10
24	738 21 03-04	BALL BEARING		2	10
25	541 40 48-06	CARRIAGE DRIVE SHAFT		1	10
26	541 40 50-36	LEVEL BUBBLE		1	10
27	728 73 70-01	SCREW IHSETM		4	10
28	541 40 48-00	CARRIAGE PLASTIC GUARD - TOP		1	10
29	725 52 93-01	SCREW IHSCM		4	10
30	541 40 48-03	ECCENTRIC BUSHING		4	10
31	541 40 48-05	ECCENTRIC SHAFT		2	10
32	725 54 51-01	SCREW IHSCM		2	10
33	575 84 83-01	MOTOR BRACKET		1	10
34	541 40 51-43	10MM X 9MM RECTANGULAR KEY		1	10,33
35	725 54 49-01	SCREW IHSCM		16	10,33
36	575 84 82-01	PLATE		1	10,33
37	525 54 07-01	WEDGE		1	10,33
38	725 54 47-01	SCREW IHSCM		2	10
39	577 95 06-01	FIXATION ASSEMBLY		1	10
40	577 83 62-01	LOCK		1	10,39
41	728 74 55-06	SCREW IHSETM		1	10,39
42	577 83 61-01	BOLT		1	10,39
43	510 20 27-01	DOWEL PIN		1	10,39
44	728 83 64-01	SCREW IHSETM		2	10,39
45	731 43 18-01	HEXAGON THIN NUT		1	10,39
46	543 85 02-16	INDEXABLE HANDLE, NUT M8		1	10,39
47	541 40 40-31	KEY		1	10
48	728 64 53-01	SCREW IHSETM		4	10
49	541 40 40-32	GUIDE		4	10
50	541 40 48-62	CARRIAGE PLASTIC GUARD - BOTTOM		1	10
51	541 40 48-04	STRAIGHT SHAFT		2	10
52	579 27 01-01	KIT		1	10
53	541 40 48-64	FRICTION BRAKE CUP		1	10
54	541 40 50-43	SPRING		1	10
55	541 40 48-16	BRAKE KNOB		1	10
56	541 40 48-96	ROLLER		4	10

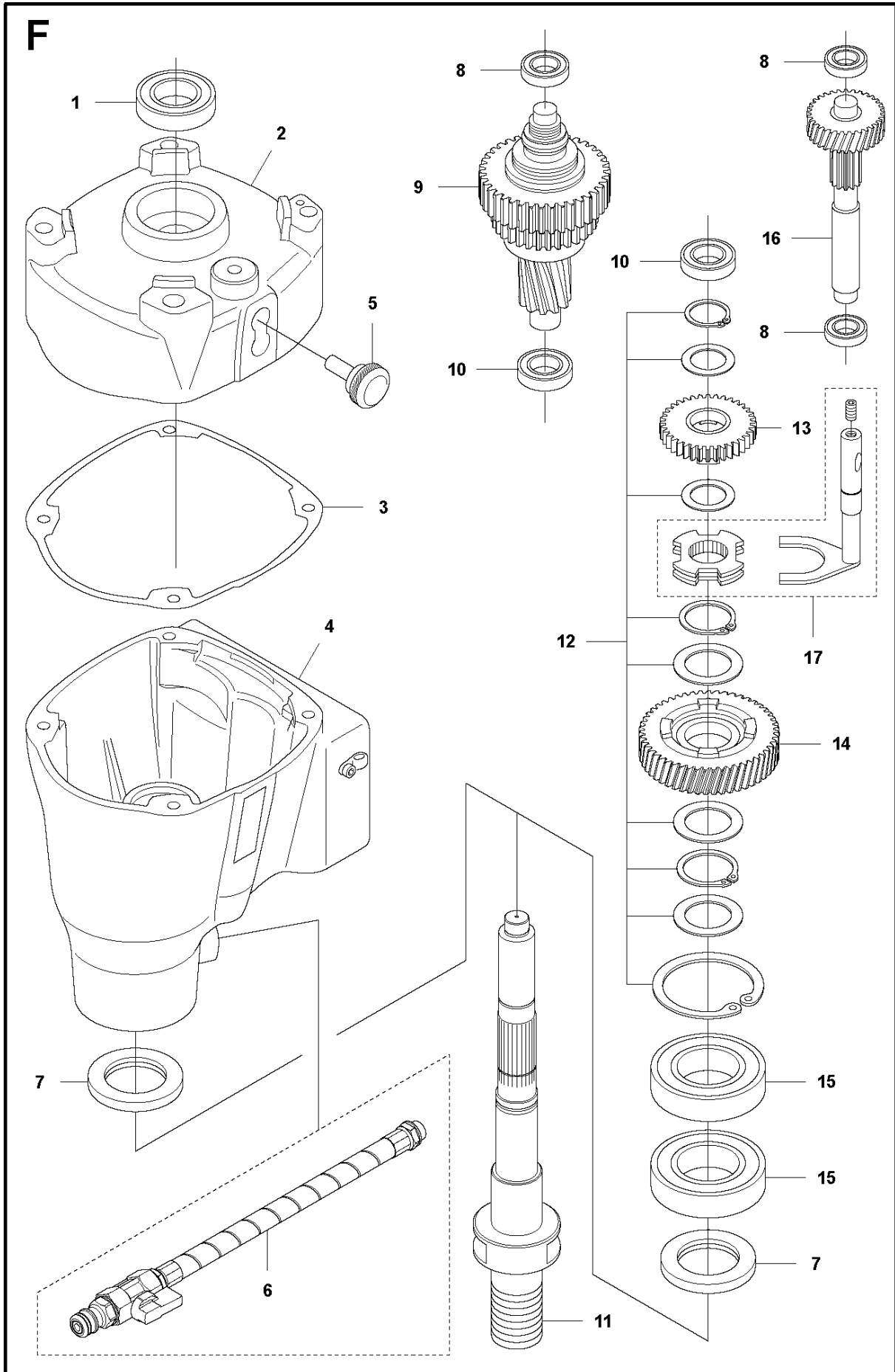




## COLUMN

DMS240, 2015-01

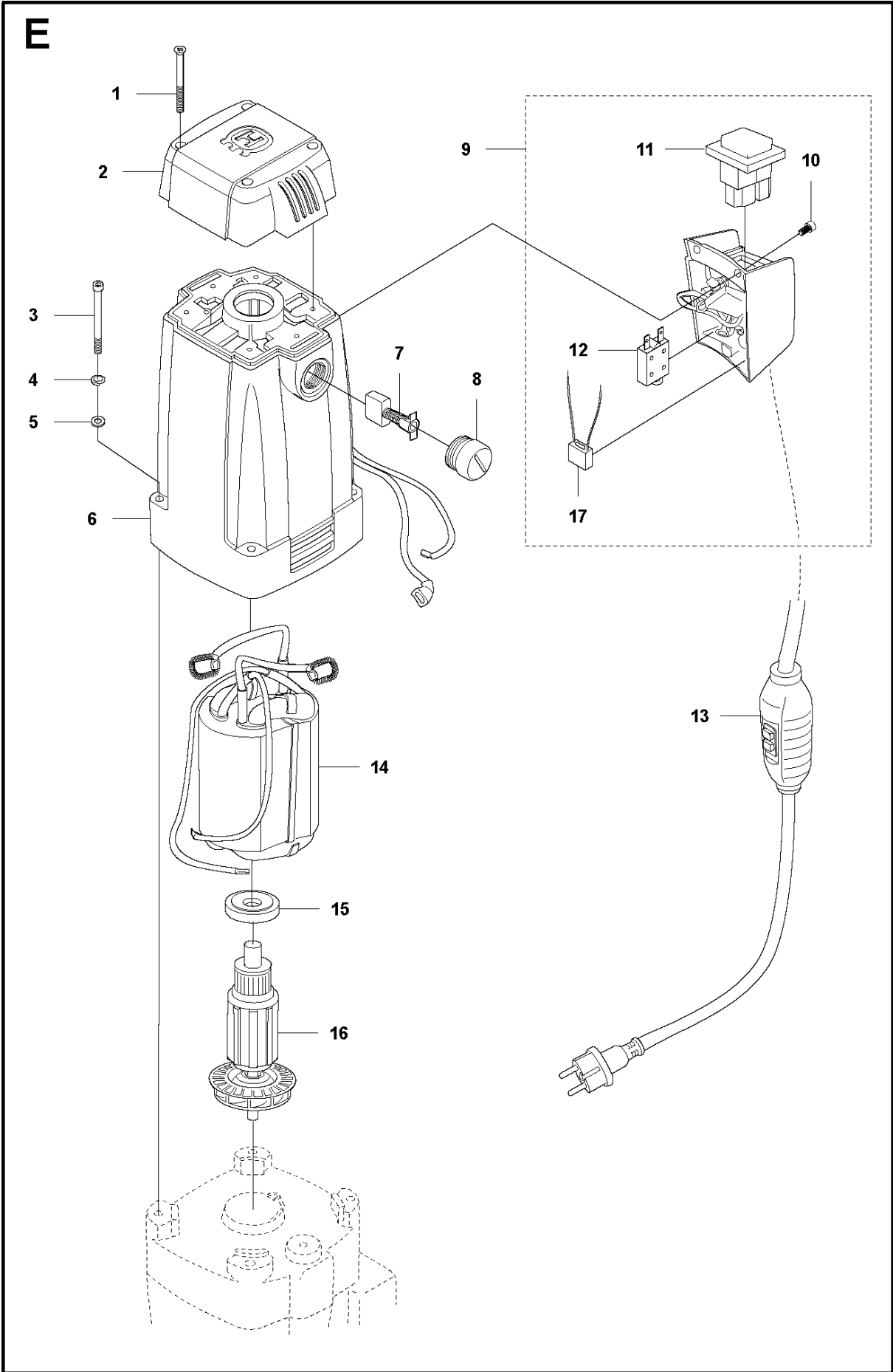
Ref	Part No	Description	Remark	QTY KIT
1	541 40 48-09	JACKING SCREW ASSEMBLY		1
2	725 52 89-01	SCREW IHSCM		4
3	541 40 48-68	COULMN PLASTIC GUARD		1
4	541 40 40-54	DECAL		2
5	541 40 48-78	DS 250 RACK		1
6	541 40 48-15	SCREW IHPANM		3
7	541 40 48-82	DECAL		1
8	720 13 06-50	PARALLEL PIN		2
9	541 40 47-95	DS 250 COLUMN EXTRUSION MACHINED		1
10	541 40 50-67	COLUMN		1
11	541 40 48-70	COLUMN		1
12	541 40 48-81	COLUMN		1
13	541 40 48-69	COLUMN		1
14	725 25 07-51	SCREW EHHM		1



## GEAR BOX

DMS240, 2015-01

Ref	Part No	Description	Remark	QTY KIT
1	738 22 02-19	BALL BEARING		1
2	586 92 60-01	COVER		1
3	575 29 17-01	SEAL		1
4	586 92 59-01	GEAR HOUSING		1
5	521 89 92-01	GEAR SHIFT LEVER		1
6	502 30 44-02	HOSE ASSY		1
7	586 98 77-01	SEAL		2
8	738 22 01-19	BALL BEARING		3
9	525 58 33-01	CLUTCH ASSY		1
10	738 22 01-19	BALL BEARING		2
11	586 92 61-01	SPINDLE SHAFT		1
12	586 92 54-01	KIT		1
13	586 92 51-01	GEAR WHEEL KIT		1
14	586 92 52-01	GEAR WHEEL KIT		1
15	738 22 05-19	BALL BEARING		2
16	586 92 53-01	SHAFT ASSY		1
17	586 92 50-01	KIT		1



## MOTOR

DMS240, 2015-01

Ref	Part No	Description	Remark	QTY	KIT
1	724 33 05-55	SCREW CRCSFM		4	
2	521 89 84-01	MOTOR COVER		1	
3	725 53 88-55	SCREW IHSCM		4	
4	521 89 85-01	LOCK WASHER		4	
5	734 11 52-01	WASHER		4	
6	521 89 86-01	MOTOR HOUSING		1	
7	505 35 28-01	BRUSH		2	
8	521 89 87-01	COVER		2	
9	586 92 57-01	ELECTRONIC BOX	230 V	1	
9	586 92 58-01	ELECTRONIC BOX	110 V	1	
10	723 22 85-31	SCREW SLPANM		2	9
11	521 89 88-01	SWITCH	110 V	1	9
11	522 80 78-01	MAIN SWITCH	230 V	1	9
12	522 81 11-02	SWITCH	For 230 V only	1	9
13	505 35 29-01	CABLE	EU	1	9
13	505 35 29-02	CABLE	US	1	9
13	505 35 29-03	CABLE	CN	1	9
13	505 35 29-04	CABLE	UK	1	9
13	505 35 29-05	CABLE	AUS	1	9
14	521 89 89-01	STATOR	110 V	1	
14	522 80 79-01	STATOR	230 V	1	
15	738 23 00-34	BALL BEARING		1	
16	521 89 91-01	ROTOR	110 V	1	
16	522 80 80-01	ROTOR	230 V	1	
17	586 92 55-01	CAPACITOR	230 V	1	
17	586 92 56-01	CAPACITOR	110 V	1	